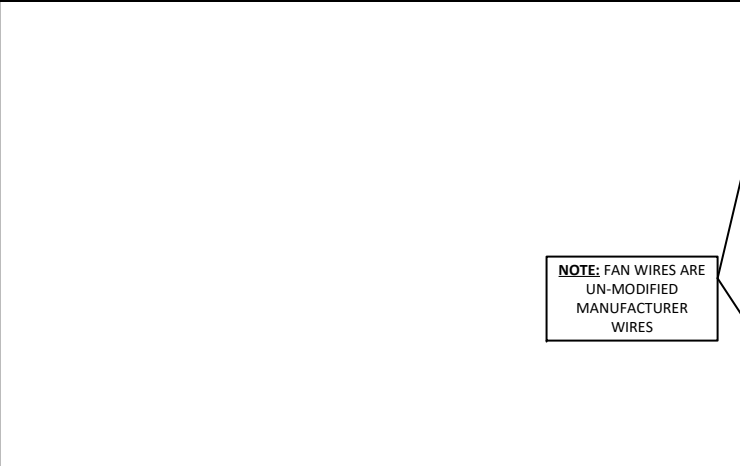
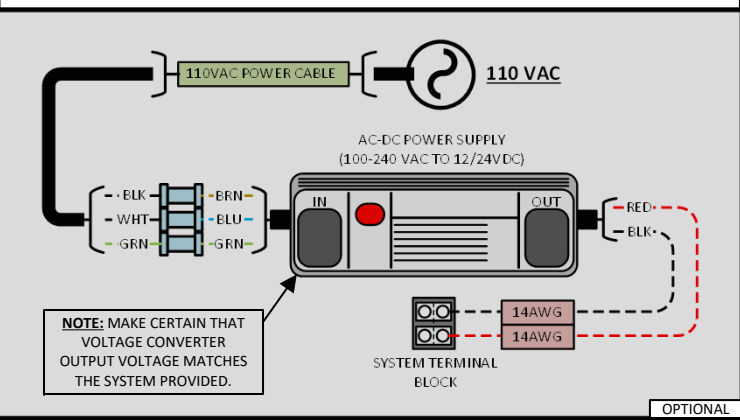
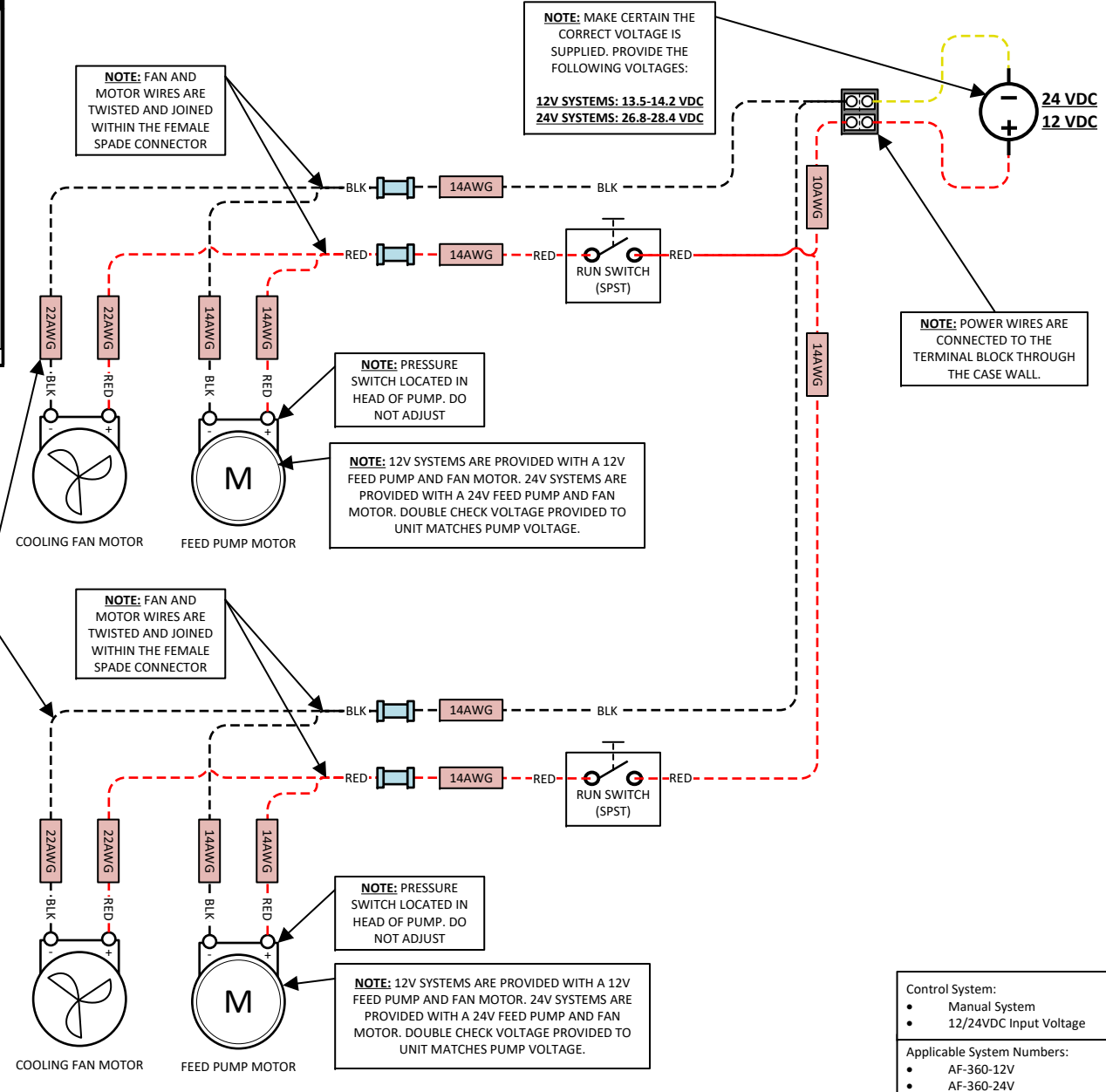


Detail View 1: 110 VAC Power Kit Wiring (optional)



List of Symbols: KEY

BLK	WIRE COLOR LABEL – INDICATES A BLACK WIRE
RED	WIRE COLOR LABEL – INDICATES A RED WIRE
YEL	WIRE COLOR LABEL – INDICATES A YELLOW WIRE
	WIRE GAUGE LABEL – INDICATES A GAUGE FOR A CABLE OF MULTIPLE WIRES, FORMATED AS (WIRE GAUGE)-(NUMBER OF WIRES IN CABLE)
	WIRE GAUGE LABEL – INDICATES A GAUGE FOR A SINGLE WIRE
	FUSE – NECESSARY SIZING INFORMATION CALLED OUT ON WIRING DIAGRAM
	CONNECTION – BLUE HEAT SHRINK – BUTT CONNECTOR
---	WIRING – SINGLE WIRE BLACK OR WHITE – TYPICAL COMM COLOR
---	WIRING – SINGLE WIRE RED – TYPICAL ENERGIZED COLOR
---	WIRING – SINGLE WIRE YELLOW – TYPICAL NEUTRAL COLOR
	NOTATION – WIRE CONTINUITY SYMBOL INDICATES CONTINUITY BETWEEN MATCHING ALPHABETIC SYMBOLS – LARGE ALPHABETIC CIRCLE



Revision History: AF-360-12/24VDC

Rev No:	Date:	Description:
A	05/04/2023	Initial Wiring Diagram for Aquifer 360 DC Systems, 12/24VDC

Aquifer-360-12/24VDC

Revision: A
 Rev Date: 05/04/2023
 Print Date: 05/04/2023
 Drawn by: LSS

Katadyn Desalination

- Control System:
- Manual System
 - 12/24VDC Input Voltage
- Applicable System Numbers:
- AF-360-12V
 - AF-360-24V